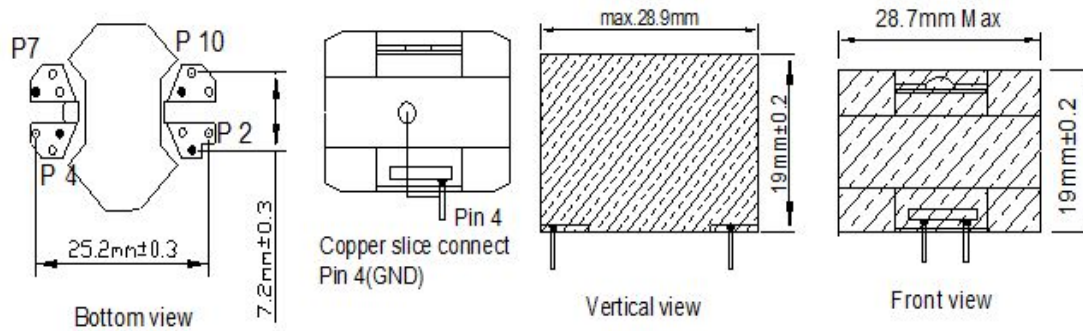
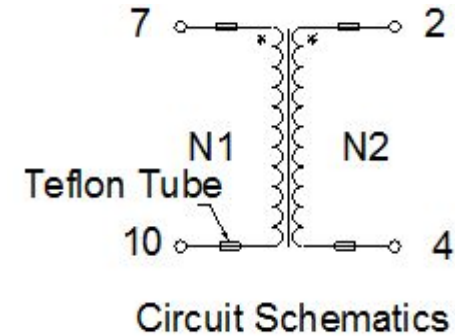


| | | |
|-------------------|------|---------------|
| CUSTOMER TERMINAL | ROHS | Lead(Pb)-free |
| | YES | YES |

1. Mechanical Dimensions



2. Schematic Diagram



3. Material List

Core:FW44 RM10

Bobbin:FWB1005(6+6PIN)

Wire:2UEW LITZ

Copper foil: 0.05t*8.0mm

Operating Temperature: -30 to115 °C

4. Electrical Specification

Inductance : L(10-7):690±5%uH 100KHZ , 1.0V

| | | | | | |
|-------------|-------|--|--------------|--------------------------------------|---------------------------|
| REV. | DATE | <p>Convention Placement</p> | DRW. | Drawing Title: TRANSFORMER | Part No: FWPTRM10V691J |
| 0 | 00/00 | | CHK. | | |
| | | | APP. | | |
| ROHS | | www.ferriwo.com | Customer P/N | Specification Sheet 1of 1 | |